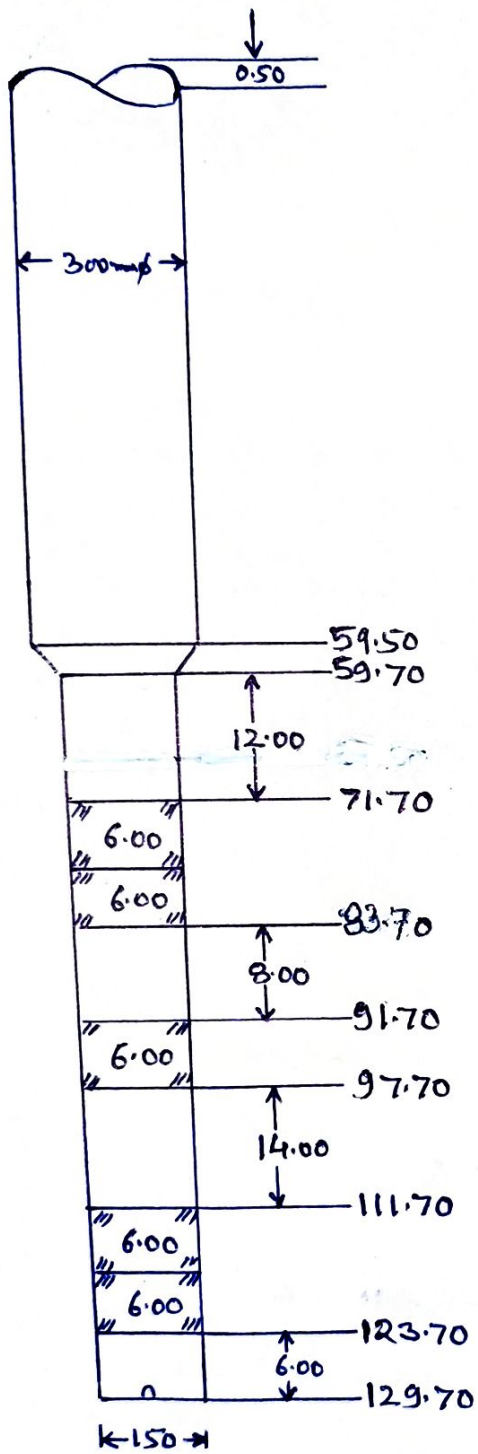


Proposed Tw Assembly chost A Saidabad w/s scheme block masuli  
 Distt- Barabanki



1. Discharge - 431.39 LPM
2. Motor HP - 7.5 HP
3. Assembly size 300 x 150
4. Base  $\phi = 600 \times 450$
5. Logging Report dt- 27-12-20

1. 28 - 60 = 32 good
- 12 - 2 - 67 - 85 = 18 good
- 6 - 3 - 90 - 98 = 8 good
- 12 - 4 - 110 - 125 = 15 good

**GROUND WATER SURVEY CONSULTANCY**  
GEOLOGISTS, GEOPHYSICISTS & TUBEWELL ENGINEERS

**GEO-PHYSICAL WELL  
ELECTOLOGGING REPORT**

Ref No:-B-2757

Date:- 27-12-2023

**NAME OF SITE**

GRAM PANCHAYAT- Saidabad

BLOCK- Masuli

DISTT- Barabanki

**NAME OF AGENCY**

M/s Vindha Telelinks Limited  
Gaja Engineering Pvt. Ltd (JV)



**GROUND WATER SURVEY CONSULTANCY**

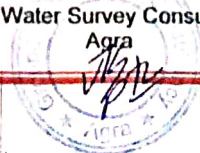
Electric Well Logging, Geophysical Resistivity Survey, Ground Water Investigations.

112 A-Shree Nagar Colony, Firozabad Road, Agra- 282006

(M) : 9412260823, 9794625420, 9761163000, Email : gwsc\_agra@yahoo.com

**ISO ; 9001 ; 2015**

Ground Water Survey Consultancy



# REPORT ON GEOPHYSICAL WELL LOGGING AT

GRAM PANCHAYAT- SAIDABAD, BLOCK- MASULI, DISTT- BARABANKI  
UNDER  
JAL JIVAN MISSION

## Introduction :

A Deep bore hole was drilled 165 mtrs. depth. and Logged depth 165 mtrs. at above site. Was drilled by M/s Vindha telelinks Limited, Gaja Engineering Pvt. Ltd. (JV).

On the request of M/s Vindha telelinks Limited, Gaja Engineering Pvt. Ltd. (JV).

A Geophysical well Logging in the above bore hole using IGIS Well Logger on 27.Dec.2023.

Logging Para meters - Self potential, short normal (N-16), Long Normal (N-64), Lateral. Details of major aquifer formations explored from logging of bore hole combined with the study of Strata Chart prepared from drill cuttings are given in the following table:-

Mud Resistivity = 18.37 Ohms.

Drilling Water Resistivity = 20.57 Ohms.

Approx Water Level = 3 Mtr.

S.No.	Depth range(m)	Thickness(m)	Lithology	Expected Water Quality
1.	0 - 5	5	Surface soil	
2.	5 - 14	9	Clay kankar	
3.	14 - 18	4	Fine sand	
4.	18 - 28	10	Clay kankar	
5.	28 - 60	32	Medium sand	Good
6.	60 - 67	7	Clay kankar	
7.	67 - 85*	18	Medium sand	Good
8.	85 - 90	5	Clay kankar	
9.	90 - 98*	8	Medium sand	Good
10.	98 - 110	12	Clay kankar	
11.	110 - 125*	15	Fine to Medium sand & kankar	Good
12.	125 - 165	40	Clay kankar	

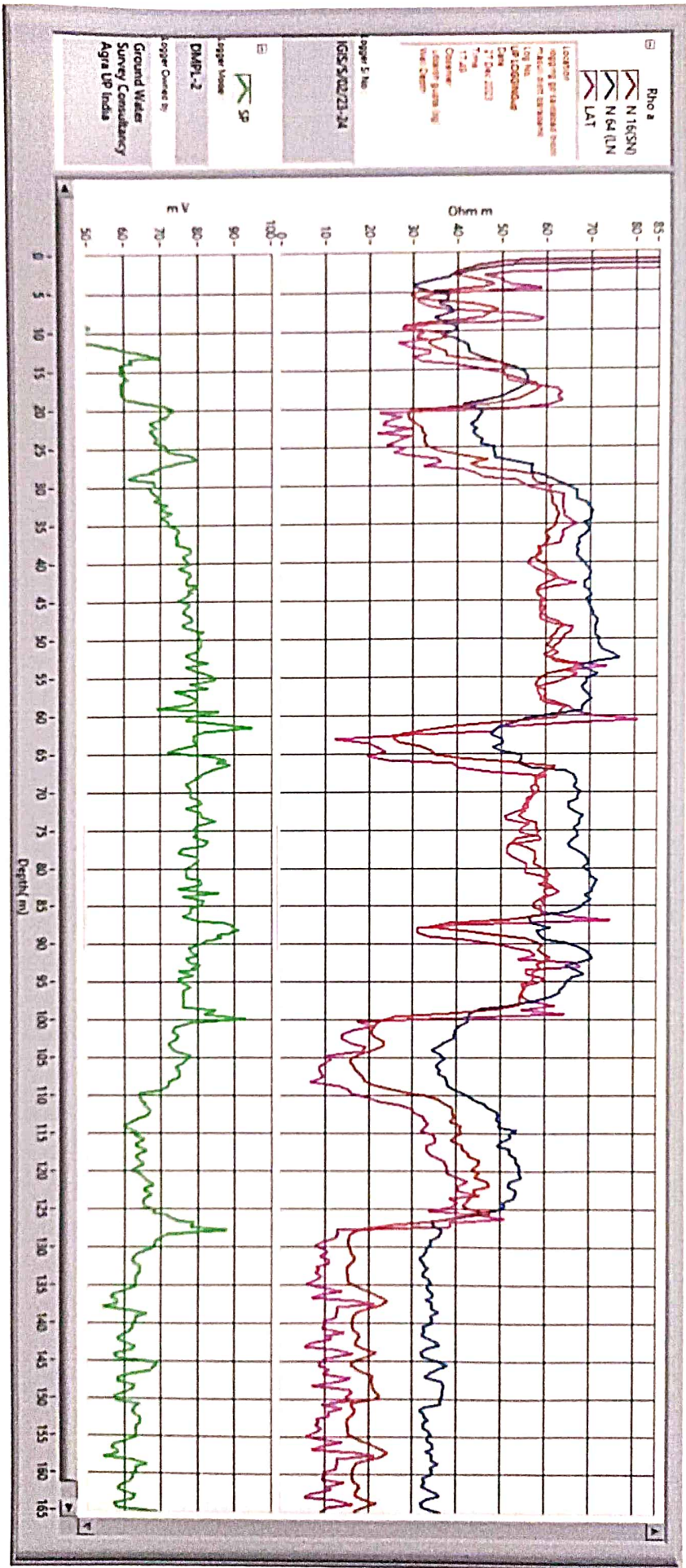
Ground Water Survey Consultancy



**Conclusions and Recommendations :-**

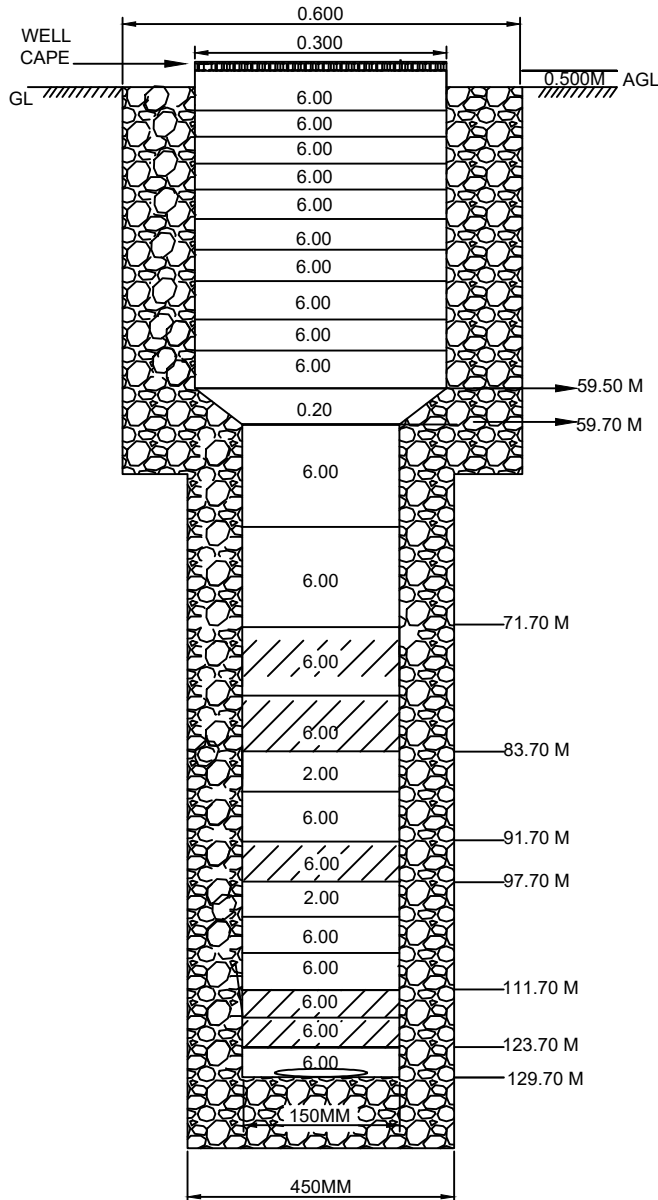
1. The Lithology broadly tallies with that of drill cutting strata chart.
2. The zones marked with asterisk (\*) appear to be aquifer zones for possible development of tubewell.
3. The Quality of water is expected Good.
4. It is recommended to have a chemical and bacteriological analysis of the water sample before using it for human consumption or for any other use.
5. All projections and recommendations are subject to the inherent limitations of the technique employed and there could be variations as the underground conditions are not always amenable to physical interpretations.







VINDHYA TELELINKS LTD -GAJA ENGINEERING PVT.LTD.JV  
 Actual T.W. Assembly & Strata Chart As Per Logging Report  
 G P-,Saidabad , Block- Masauli, Barabanki  
 JJM Phase - III



Actual Assembly for Lowering		
1	Bore Size	600*450 mm
2	T.W. Assembly size	300*150 mm
3	Discharge	431.39 LPM/7.5 HP
4	Date of Logging	27-12-2023
5	Date of lowering	28 - 12 - 2023

1	300mm@Housing Pipe	60.00 M
2	150mm@Plain Pipe	40.00 M
3	150mm@Slotted Pipe	30.00 M
4	300*150mm Reducer	0.20 M
5	Total Length	130.20 M
6	AGL	(-)0.50
7	Lowering Length	129.70

Logging Report (27-12-23)		
1	14 - 18	04 M
2	18 - 28	10 M
3	28 - 60	32 M
4	60 - 67	07 M
5	67 - 85	18 M
6	85 - 90	05 M
7	90 - 98	08 M
8	98 - 110	12 M
9	110 - 125	15 M
10	125 - 165	40 M

VTL - GAJA JV

TPI

JE E & M  
UPJN

AE E & M  
UPJN

EE E & M  
UPJN