

# Aqua Xplore

(Groundwater Assessment & Allied Services)  
243/5, New Colony Jyamau, Hazratganj, Lucknow - 226001  
Mob. 9918202546 / 9889323322, E mail- aquaxploreilko@gmail.com

Advisor - Dr. R. A. Yadav, ex-Manager (Groundwater), U. P. Jal Nigam

Ref. 1211 - S / AX - 2023 Date 11.12.2023

## Geophysical Borehole Logging Report

Name of the site : Sahawar, Block - Trivediganj

District : Barabanki

Date : 11.12.2023

Depth logged : 170.0 mbgl

Depth drilled : 170.0 mbgl - as reported

Logger use : Robertson make

Presence : Rep. of M/S Megha Engineering & Infrastructure Ltd., Hyderabad

Based on the interpretation of geophysical logs, following information may be deciphered, particularly with respect to salinity of the formation water.

Sl.No.	Depth range(mbgl)	Thickness(m)	Remarks
1	14.0—21.0	7.0	Good all
2	26.0—30.0	4.0	
3	38.0—44.0	6.0	
4	48.0—52.0	4.0	
5	55.0—62.0	7.0	

Note. All zones are intermixed with fine bands of kankar. Quality of the formation water is deteriorating marginal to saline below 70.0 mbgl till depth logged.

for Aqua Xplore

Borehole Drilled By-

VILGA Engineering Ltd.

To

M/S Megha Engineering & Infrastructure Limited  
Hyderabad

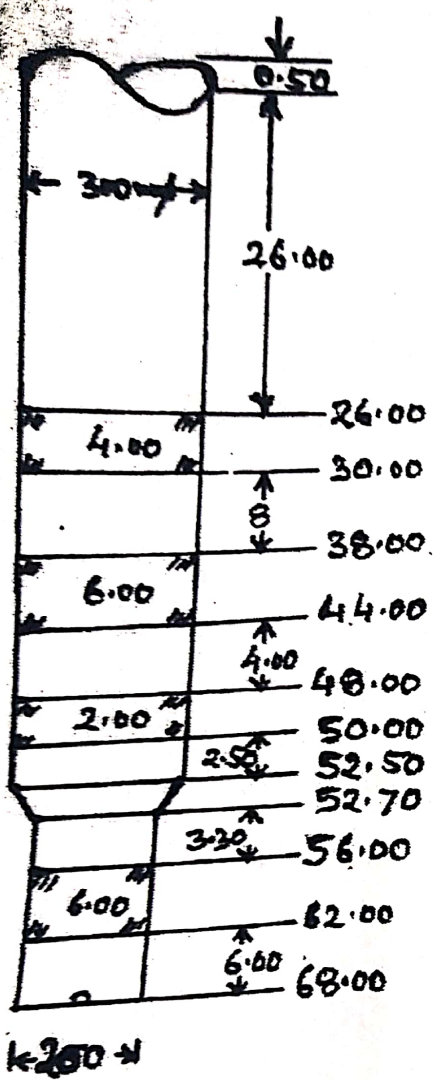
Log Report By-

Surya Borewell & Traders,

Sikandra, Kanpur Dehat



# Assembly chart of Sahawar Block, Fivedigunj Dist. Baran



- 1- Discharge of 100 = 10.50 HP
- 2- Motor HP - 2.5 HP
- 3- Assembly size 300/200
- 4- Bore  $\phi$  = 600 x 500mm
- 5- Logging Report of 11/13

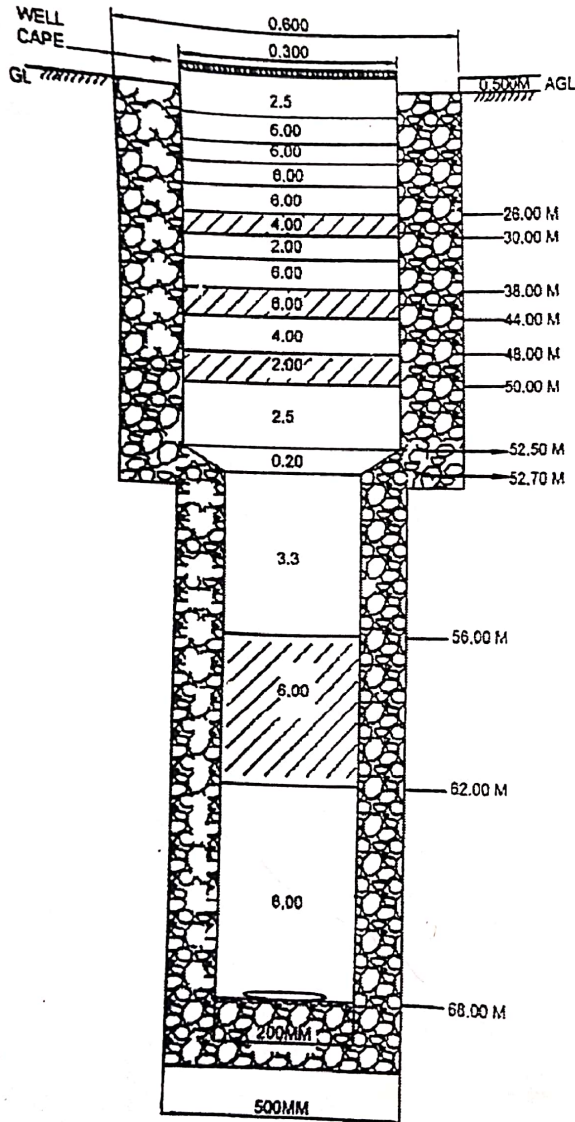
- 1 - 14 - 21 = 7
- 2 - 26 - 30 = 4
- 3 - 38 - 44 = 6
- 4 - 48 - 52 = 4
- 5 - 55 - 62 = 7

marginal to saline below  
 70mtr bgl till depth logged  
 170mtr bgl





VINDHYA TELELINKS LTD -GAJA ENGINEERING PVT.LTD.JV  
 Actual T.W. Assembly & Strata Chart As Per Logging Report  
 G P-, Sahawar Block - Trivediganj , Barabanki  
 JJM Phase - III



Actual Assembly for Lowering		
1	Bore Size	600*500 mm
2	T.W. Assembly size	300*200 mm
3	Discharge	1050 LPM / 25 HP
4	Date of Logging	11-12-2023
5	Date of lowering	12-12-2023

1	300mm@Housing Pipe	41.00 M
2	200mm@Plain Pipe	9.3 M
3	200MM@Slotted Pipe	08.00 M
4	300MM@Slotted Pipe	12.00 M
6	300*200mm Reducer	0.20 M
7	Total Length	68.50 M
8	AGL	(-) 0.50
9	Lowering	68.00 M

Logging Report (11-12-23)		
1	14 - 21	07 M
2	26 - 30	04 M
3	38 - 44	06 M
4	48 - 52	04 M
5	55 - 62	07 M

VTL - GAJA JV

JEE & M  
UPJN

AEE & M  
UPJN

EE E & M  
UPJN