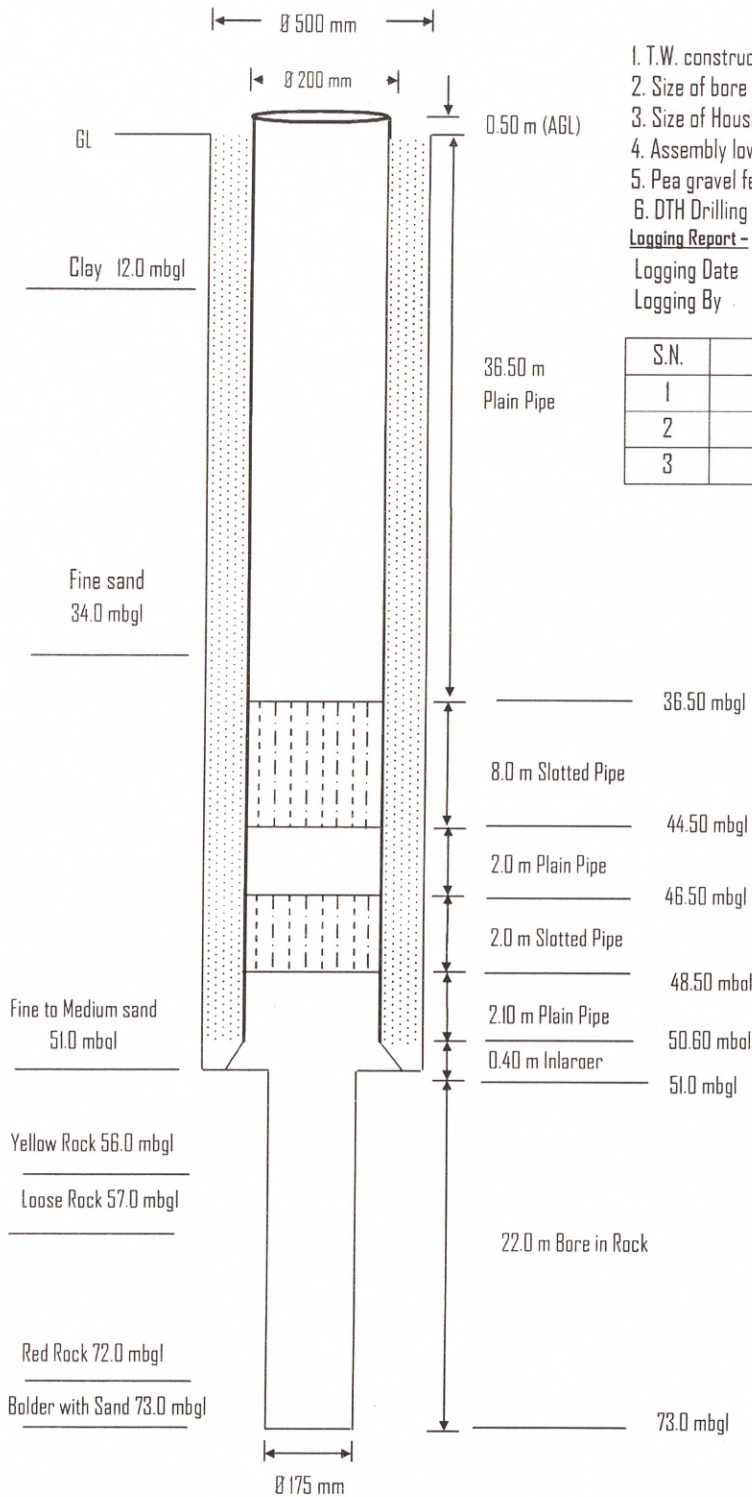


OFFICE OF THE EXECUTIVE ENGINEER UNICEF PROJECT UNITE (E/M) UP JAL NIGAM SONEBHADRA


Completion plan of Jasa Baghaura T.W. (Danti Group of Village W/s Scheme Under J.J.M.) Block -Chhanbay, District- Mirzapur.



- 1. T.W. constructed by : M/S RAMKY BABA, (J.V.)
 - 2. Size of bore : Dia. 500 x 175 mm
 - 3. Size of Housing Pipe : Dia. 200 mm
 - 4. Assembly lowered on : 09.07.2021
 - 5. Pea gravel feed : 09.07.2021
 - 6. DTH Drilling : 31.10.2021
- Logging Report -
- Logging Date : 01.07.2021
 - Logging By : Aqua Explore

S.N.	Depth Range in Mtr (B.G.L.)	Thickness(Mtr)	Remarks
1	29.00 To 31.00	2.00	Good
2	35.00 To 45.00	10.00	Good
3	46.00 To 49.00	3.00	Good



(RAMKY BABA (J.V.)
Contractor


PMC

TPI


(M.K. Maurya)
Junior Engineer


(S.K. Yadav)
Assistant Engineer


(G.P. Singh)
Executive Engineer