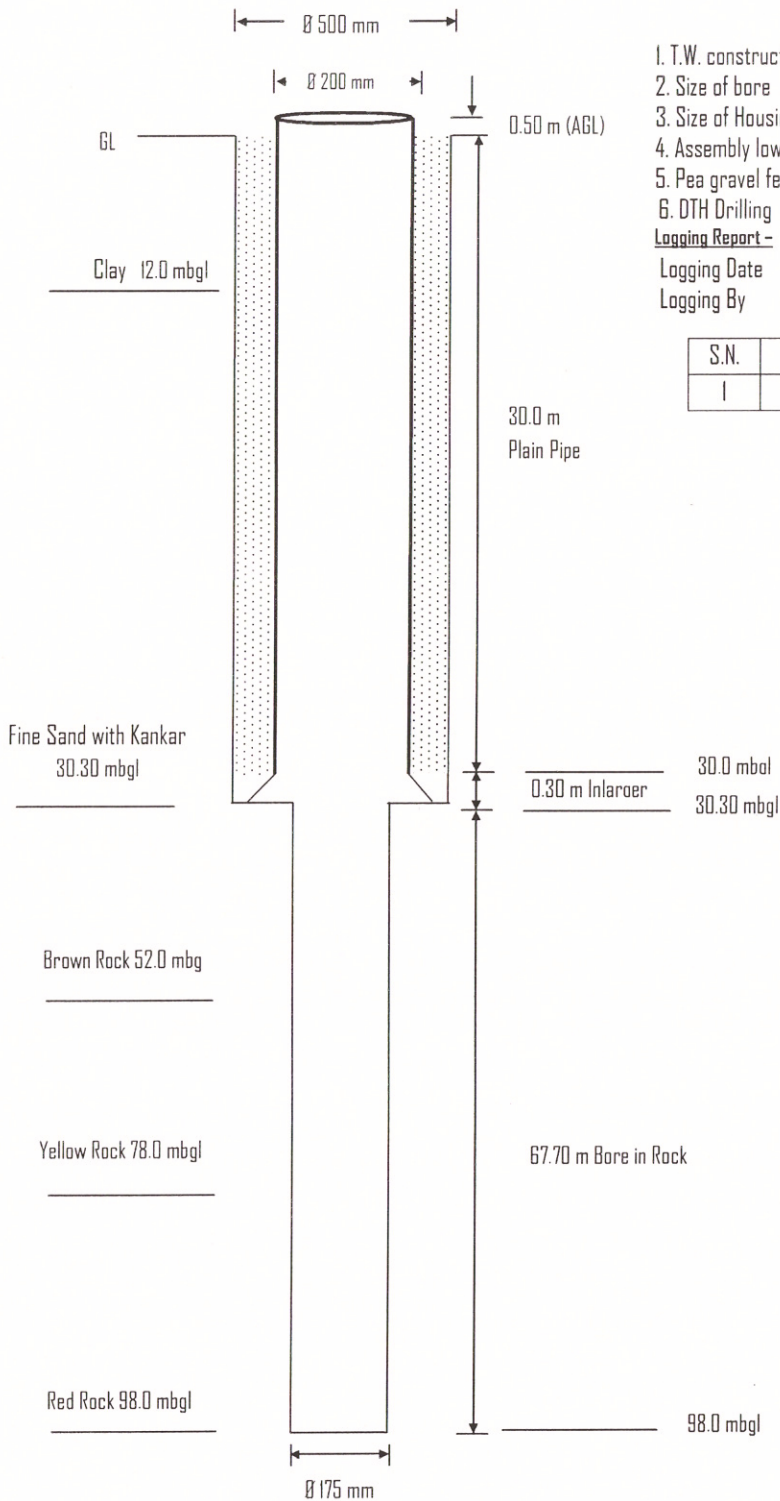



Completion plan of Baurai T.W. (Danti Group of Village W/s Scheme Under J.J.M.) Block -Chhanbay, District- Mirzapur.



1. T.W. constructed by : M/S RAMKY BABA, (J.V.)
 2. Size of bore : Dia. 500 x 175 mm
 3. Size of Housing Pipe : Dia. 200 mm
 4. Assembly lowered on : 18.09.2021
 5. Pea gravel feed : 18.09.2021
 6. DTH Drilling : 29.11.2021
Logging Report -
 Logging Date : 30.08.2021
 Logging By : Aqua Explore

S.N.	Depth Range in Mtr (B.G.L.)	Thickness(Mtr)	Remarks
I	18.00 To 30.00	12.00	Good



 (RAMKY BABA (J.V.)
 Contractor


 PMC

TPI


 (M.K. Maurya)
 Junior Engineer


 (S.K. Yadav)
 Assistant Engineer


 (G.P. Singh)
 Executive Engineer