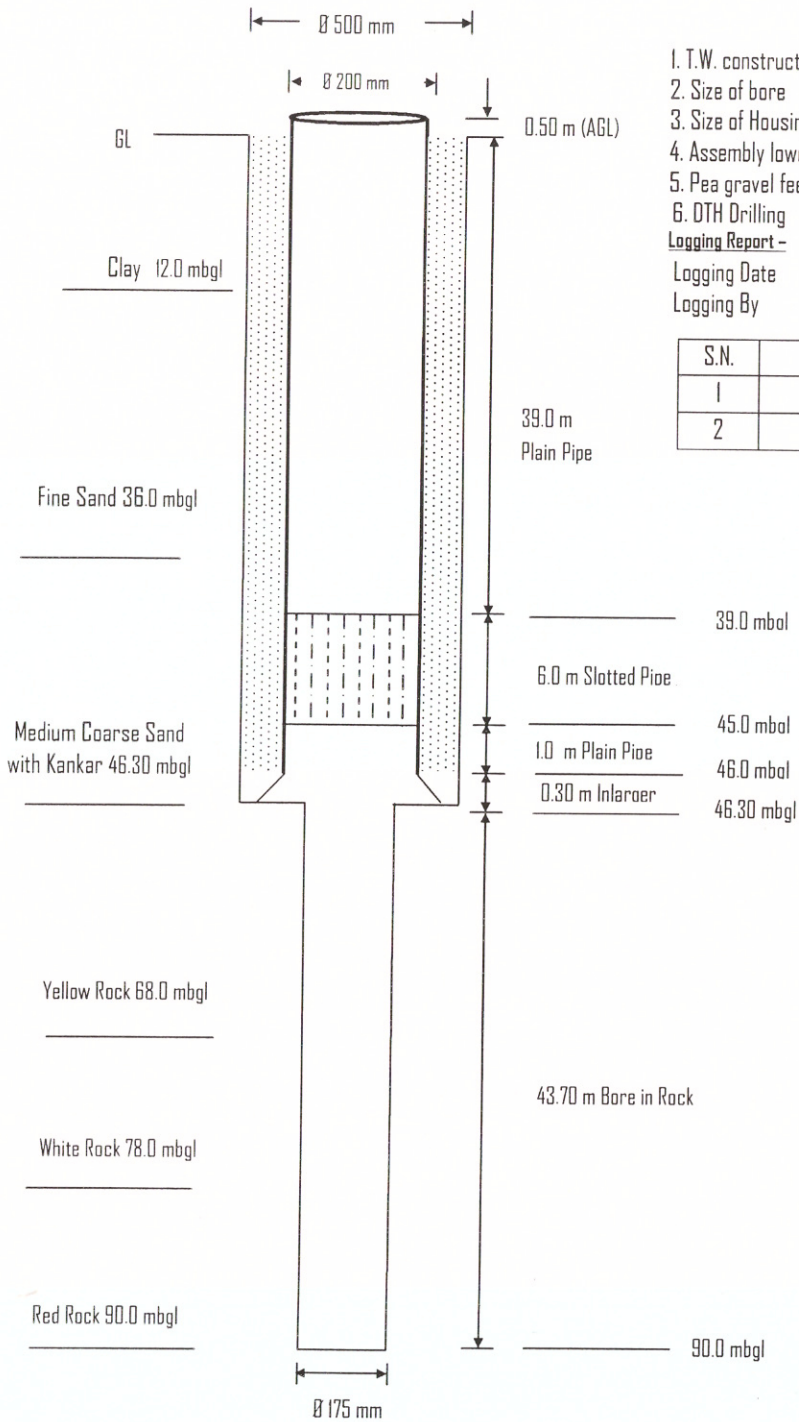


**OFFICE OF THE EXECUTIVE ENGINEER UNICEF PROJECT UNITE (E/M) UP JAL NIGAM SONEBHADRA**

**Completion plan of Sihawal T.W. (Danti Group of Village W/s Scheme Under J.J.M.) Block-Chhanbay, District- Mirzapur.**



- 1. T.W. constructed by : M/S RAMKY BABA, (J.V.)
  - 2. Size of bore : Dia. 500 x 175 mm
  - 3. Size of Housing Pipe : Dia. 200 mm
  - 4. Assembly lowered on : 22.09.2021
  - 5. Pea gravel feed : 22.09.2021
  - 6. DTH Drilling : 26.11.2021
- Logging Report -  
 Logging Date : 15.09.2021  
 Logging By : Aqua Explore

| S.N. | Depth Range in Mtr (B.G.L.) | Thickness(Mtr) | Remarks |
|------|-----------------------------|----------------|---------|
| 1    | 15.00 To 20.00              | 5.00           | Good    |
| 2    | 37.00 To 45.00              | 8.00           | Good    |

*(Signature)*  
 (RAMKY BABA (J.V.)  
 Contractor

*(Signature)*  
 PMC

TPI

*(Signature)*  
 ( M.K. Maurya)  
 Junior Engineer

*(Signature)*  
 (S.K. Yadav)  
 Assistant Engineer

*(Signature)*  
 (G.P. Singh)  
 Executive Engineer