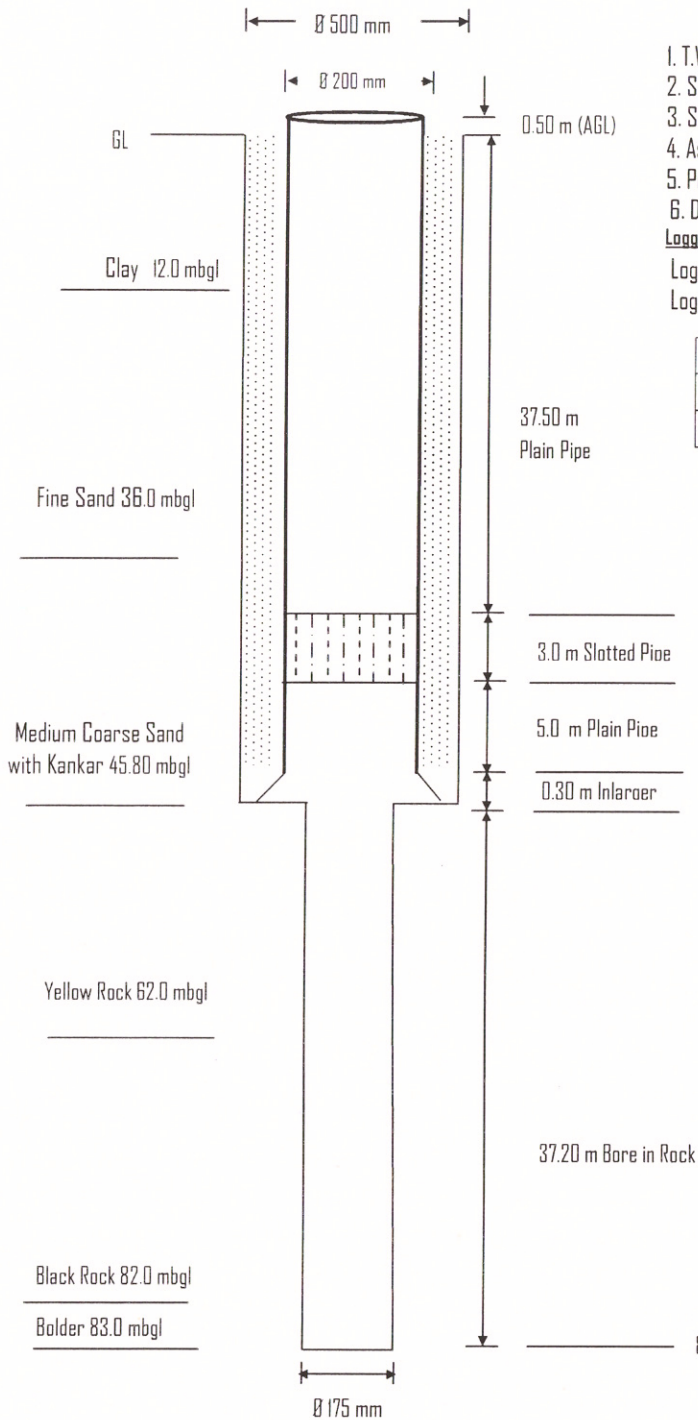


**OFFICE OF THE EXECUTIVE ENGINEER UNICEF PROJECT UNITE (E/M) UP JAL NIGAM SONEBHADRA**

**Completion plan of Kalana Gharwar T.W. (Danti Group of Village W/s Scheme Under J.J.M.) Block-Chhanbay, District- Mirzapur.**



- 1. T.W. constructed by : M/S RAMKY BABA, (J.V.)
  - 2. Size of bore : Dia. 500 x 175 mm
  - 3. Size of Housing Pipe : Dia. 200 mm
  - 4. Assembly lowered on : 19.08.2021
  - 5. Pea gravel feed : 19.08.2021
  - 6. DTH Drilling : 29.10.2021
- Logging Report -**
- Logging Date : 17.08.2021
  - Logging By : Aqua Explore

S.N.	Depth Range in Mtr (B.G.L.)	Thickness(Mtr)	Remarks
1	25.00 To 30.00	5.00	Good
2	37.00 To 41.00	4.00	Good

*(Signature)*  
(RAMKY BABA (J.V.)  
Contractor

*(Signature)*  
PMC

TPI

*(Signature)*  
( M.K. Maurya)  
Junior Engineer

*(Signature)*  
(S.K. Yadav)  
Assistant Engineer

*(Signature)*  
(G.P. Singh)  
Executive Engineer