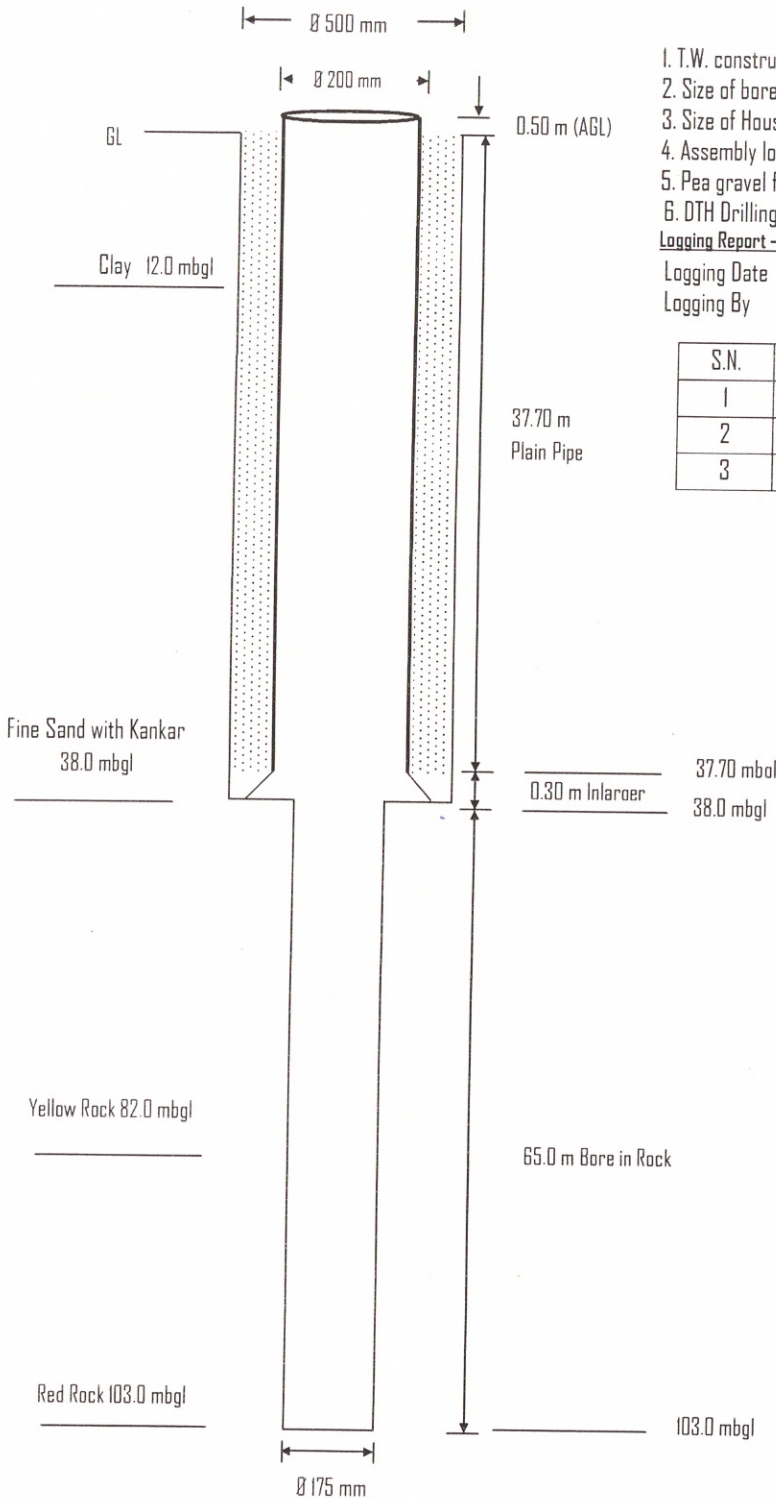


OFFICE OF THE EXECUTIVE ENGINEER UNICEF PROJECT UNITE (E/M) UP JAL NIGAM SONEBHADRA

Completion plan of Dhaurahara T.W. (Danti Group of Village W/s Scheme Under J.J.M.) Block -Chhanbay, District- Mirzapur.



- 1. T.W. constructed by : M/S RAMKY BABA, (J.V.)
 - 2. Size of bore : Dia. 500 x 175 mm
 - 3. Size of Housing Pipe : Dia. 200 mm
 - 4. Assembly lowered on : 11.08.2021
 - 5. Pea gravel feed : 11.08.2021
 - 6. DTH Drilling : 16.11.2021
- Logging Report -
- Logging Date : 07.08.2021
 - Logging By : Aqua Explore

S.N.	Depth Range in Mtr (B.G.L.)	Thickness(Mtr)	Remarks
1	13.00 To 17.00	4.00	Good
2	21.00 To 24.00	3.00	Good
3	26.00 To 32.00	6.00	Good

(Signature)
(RAMKY BABA (J.V.)
Contractor

(Signature)
PMc

TPI

(Signature)
(M.K. Maurya)
Junior Engineer

(Signature)
(S.K. Yadav)
Assistant Engineer

(Signature)
(G.P. Singh)
Executive Engineer